



## KEY FEATURES

250W RGLAW LED

>8,000 Lumens, (TBD) CRI

46° Beam Angle

Simple 'Array Mode' Addressing System

Dim-to-Warm/ Red Shift Emulation

High Output Blinder Mode or Constant Output Mode

Options

Nearly Endless Mounting and Configuration Options

IP65 Rated

Inspired by the radiant sun, the SÖL I Blinder is the first in a new groundbreaking series of creative LED blinder and effects solutions that seamlessly marries cutting-edge technology with artistic ingenuity. With its sleek and modern aesthetic, SÖL I Blinder seamlessly integrates into any stage or event setting, offering limitless creative potential. What sets SÖL apart is its ingenious modular design, offering endless possibilities for configuration and arrangement. Using simple fixture interconnects, threaded adapters, mounts and yoke accessories, designers can effortlessly link SÖL I Blinder to other fixtures or devices, exponentially expanding creative options for unique shapes and arrays. Use it as a single-cell, 2- or 4-cell blinder or connect even more fixtures together for a versatile effects panel that is perfect for eye-candy looks. Create linear blinder arrays, single or multi-unit pendants, custom shapes, and more. The possibilities are endless!

Multiple lens options, coupled with a host of accessories, enhance the fixture's potential even further. An optional Bowens mount adaptor ring allows for a number of Bowens mount accessories to be attached to the front of the fixture for even more aesthetic options and creative impact. Add to that a variety of mounting options and designers are empowered with the flexibility to craft unique visual experiences tailored to each performance or event.

The SÖL I Blinder boasts a remarkable spectrum of colors from a 250W RGB+Lime+Amber+White LED engine with 93+ CRI for high-quality color reproduction. The proprietary RGLAW engine delivers exceptionally bright, high-fidelity whites while offering a full color range that takes LED blinder color to the next level. Despite its compact form, the SÖL I Blinder packs a punch at over 8000 lumens! Fully variable 16-bit color temperature adjustment from 2400K - 8500K is achievable and a dim to warm or red shift emulation function has been included to allow you to match the warm glow of an incandescent blinder. CMY emulation provides the designer with immediate access to the impressive LED color array including beautiful mixed whites while a virtual gel library allows for easy recall of a variety of premixed shades.

Controllable via DMX or RDM protocols, SÖL I Blinder offers a unique 'Array Mode' addressing system and our proprietary Aria x2 wireless device management for simpler system setup and maintenance. You can also choose between high-output blinder mode or constant output mode when even light level is required for long periods of time. IP65 rated and convection cooled for use in harsh environments, the SÖL I Blinder is wrapped in a lightweight yet durable compact housing. Unleash your creativity and redefine the limits of live entertainment lighting with SÖL - illuminating the path to limitless creativity!



250W RGLAW LED Modular Blinder, IP65

## SPECIFICATIONS

### SOURCE

250W RGLAW LED

30,000 Hour Average LED Life\*

\*Test lab conditions. May vary depending on several factors including but not limited to: Environmental Conditions, Power/Voltage, Usage Patterns (On-Off Cycling), Control, and Dimming.

### PHOTOMETRIC DATA

>8,000 Total Lumen Output

CRI TBA

#### Compound Lens

Beam Angle: 46°

Field Angle: 85°

#### No Lens

Beam Angle: 52°

Field Angle: 95°

### EFFECTS

Variable Strobe Rate: 1- 20kHz

Dim-to-Warm/ Red Shift Emulation

Variable 16-bit Dimming Modes and Curves

High Output Blinder Mode or Constant Output

Mode Options

### COLOR

RGLAW Color Array

CMY Emulation

Variable CCT 2400K - 8500K

Virtual Gel Swatch Book

### CONTROL / CONNECTIONS

12 DMX Channel Modes (1ch, 2ch, 3ch, 4ch, 6ch, 7ch, 13ch, 21ch, 10ch, 15ch, 10ch & 15ch)

Simple 'Array Mode' Addressing System

Manual and DMX Controlled Dimmer and Color

4 Button Control Panel, LED Display

Aria x2 Wireless Device Management

RDM (Remote Device Management)

5pin DMX and IP65 Locking Power Cable In/

Out

### SIZE / WEIGHT (Without Accessories)

Length: 7.28" (185mm)

Width: 4.48" (114mm)

Vertical Height: 4.48" (114mm)

Weight: TBA

### ELECTRICAL / THERMAL

AC 100-240V - 50/60Hz

285W Max Power Consumption

5°F to 113°F (-15°C to 45°C)

972 BTU/hr (+/- 10%)

### INCLUDED ITEMS

Floor Stand/ Yoke

Fixture Interconnect Lock

Safety Cable

IP65 Locking Power Cable

### OPTIONAL ITEMS

SOL I Interconnect (SOL1 IC)

SOL I M10 Connect (SOL1 M10C)

SOL I Rear Mount Bracket (SOL1 RMB)

SOL I Yoke (SOL1 Y)

SOL I Blinder Frame Kit (SOL1 BFK)

SOL Fresnel Lens (SOL FL)

SOL Bowens Adapter (SOL BA)

SOL Gel Frame Holder Kit (SOL GFHK)

SOL Barndoor (SOL BD)

SOL Power & DMX Jumper Cable (PDJ112)

### APPROVALS / RATINGS

CE | cETLus(pend) | UL | IP65c | FCC | UKCA



Specifications are subject to change without notice ©Elation Professional 01/23/2023

Elation Professional USA | 6122 S. Eastern Ave. | Los Angeles, CA. 90040  
323-582-3322 | 323-832-9142 fax | www.elationlighting.com | info@elationlighting.com

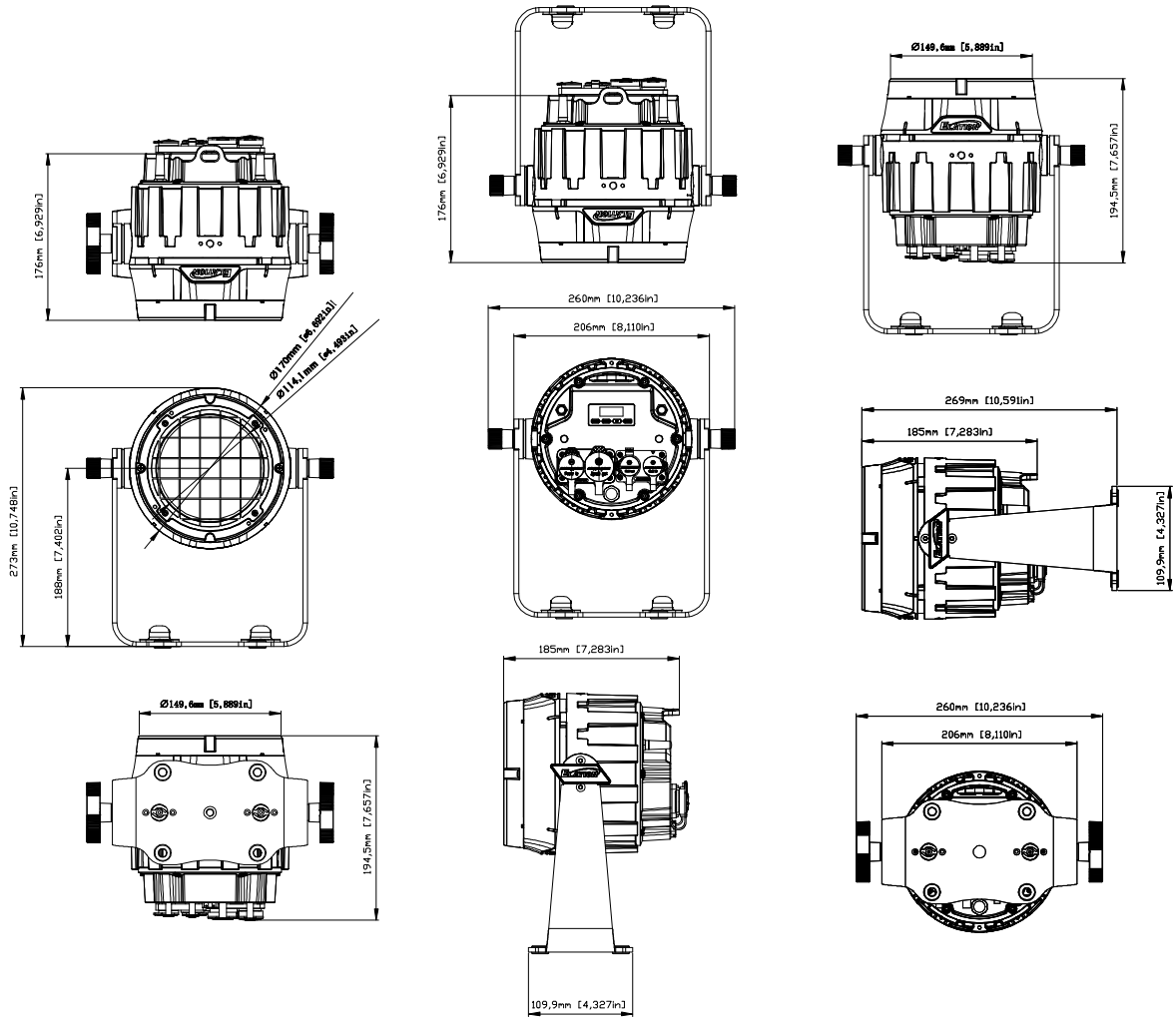
Elation Professional B.V. | Junostraat 2 | 6468 EW Kerkrade, The Netherlands  
+31 45 546 85 66 | +31 45 546 85 96 fax | www.elationlighting.eu | info@elationlighting.eu

# SÖL I BLINDER



250W RGLAW LED Modular Blinder, IP65

## DIMENSIONS



## ORDERING INFORMATION

SOL001	PENDING	SÖL I Blinder
SOL BD	PENDING	SÖL Barndoor
SOL BA	PENDING	SÖL Bowens Adapter
SOL FL	PENDING	SÖL Fresnel Lens
SOL GFHK	PENDING	SÖL Gel Frame Holder Kit
SOL BFK	PENDING	SÖL Blinder Frame Kit
SOL1 IC	PENDING	SÖL I Interconnect
SOL1 M10C	PENDING	SÖL I M10 Connect
SOL1 RMB	PENDING	SÖL I Rear Mount Connect
SOL1 Y	PENDING	SÖL I Yoke
PDJ112	PENDING	SÖL Power & DMX Jumper Cable
STR527	N/A	5 ft. (1.5m) IP65 5pin XLR Cable



Specifications are subject to change without notice ©Elation Professional 01/23/2023  
 Elation Professional USA | 6122 S. Eastern Ave. | Los Angeles, CA. 90040  
 323-582-3322 | 323-832-9142 fax | www.elationlighting.com | info@elationlighting.com

Elation Professional B.V. | Junostraat 2 | 6468 EW Kerkrade, The Netherlands  
 +31 45 546 85 66 | +31 45 546 85 96 fax | www.elationlighting.eu | info@elationlighting.eu