



# PROTEUS RADIUS



100W Solid State Phosphor-Converted beam FX Fixture

**DATA SHEET**



## KEY FEATURES

- 100W Solid State phosphor-converted Light Engine
- Compact and lightweight IP65 housing
- Ultra Intense 0.9° Beam
- Endless 360 Pan and Tilt Movements
- CMY Color Mixing CMY
- FX Package with rotating, fixed gobo, 4 prisms and frost
- FIL (Foam In Lay) Polyurethane Foam Packaging Included

The **PROTEUS RADIUS** is a compact IP65 High Intensity Beam FX fixture. Utilizing an efficient 100W Solid State phosphor-converted light engine the fixture projects narrow intense beams with incredible power at long distances. 360 Degree of Movement on both Axis allow impactful beam animations, while the CMY color mix, gobos, prisms and frost allow the designer to compose an endless array of stunning aerial effects.





# PROTEUS RADIUS



100W Solid State Phosphor-Converted beam FX Fixture

## SPECIFICATIONS

### SOURCE

100W Solid State phosphor-converted Light Engine

6000K, CRI 70

10,000 Hour Lamp Life

\*Test lab conditions. May vary depending on several factors including but not limited to: Environmental Conditions, Power/Voltage, Usage Patterns (On-Off Cycling), Control, and Dimming.

### PHOTOMETRIC DATA

2700 Lumen Total Fixture Output

Beam Angle 0.9°

### EFFECTS

Frost

4 Prisms on Dual Planes

CMY Color, Gobo, Prism Macros

Motorized Focus

Digital Shutter and Strobe

### COLOR

Full CMY Color Mixing System

25 Position Color Wheel

### GOBOS

2 Gobo Wheels

13 Interchangeable-Rotating / Indexing Metal Gobos

Gobos

29 Static-Stamped Metal Gobos

### CONTROL / CONNECTIONS

2 DMX Channel Modes

(6) Button Touch Panel

Full Color 180° Reversible LCD Menu Display

DMX, RDM, Art-Net and sACN Protocol

Support

5pin DMX In/Out

RJ45 Ethernet In/Out

IP65 Locking Power Cable In/Out

### SIZE / WEIGHT

Length: 15.6" (395mm)

Width: 13.5" (343mm)

Height: 20" (509mm)

Weight: 41.9 lbs. (19kg)

### ELECTRICAL / THERMAL

AC 100-240V 50/60Hz

200W Max Power Consumption

-4°F to 113°F (-20°C to 45°C)

### APPROVALS / RATINGS

CE | cETLus (Pending) | FCC | IP66



Specifications are subject to change without notice ©Elation Professional 10/16/2023

Elation Professional USA | 6122 S. Eastern Ave. | Los Angeles, CA. 90040  
323-582-3322 | 323-832-9142 fax | [www.elationlighting.com](http://www.elationlighting.com) | [info@elationlighting.com](mailto:info@elationlighting.com)

Elation Professional B.V. | Junostraat 2 | 6468 EW Kerkrade, The Netherlands  
+31 45 546 85 66 | +31 45 546 85 96 fax | [www.elationlighting.eu](http://www.elationlighting.eu) | [info@elationlighting.eu](mailto:info@elationlighting.eu)



# PROTEUS RADIUS



100W Solid State Phosphor-Converted beam FX Fixture

## GOBOS | COLORS | ANIMATION WHEEL

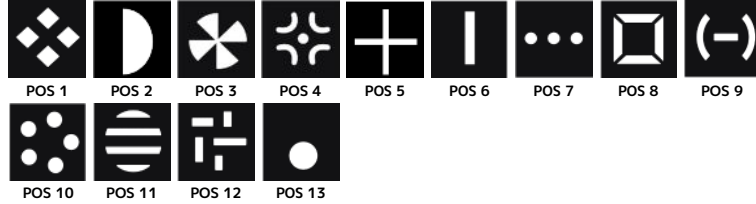
### COLOR FLAGS



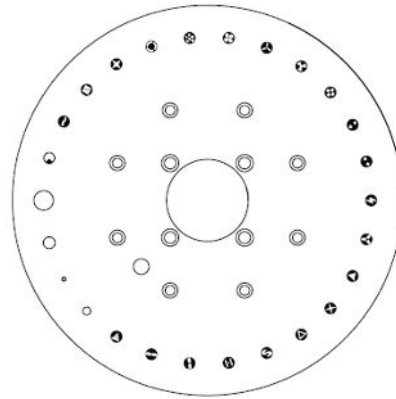
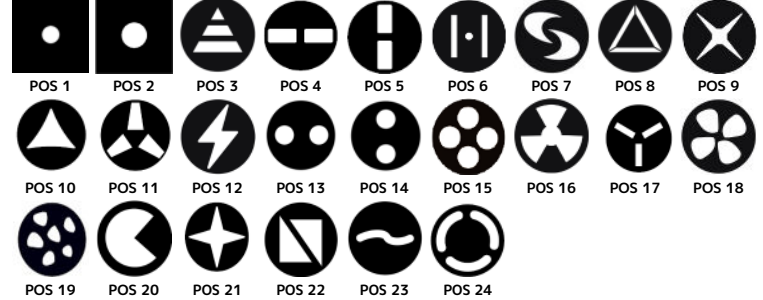
### COLOR WHEEL



### INTERCHANGEABLE ROTATING GOBO WHEEL 1



### FIXED GOBO WHEEL



## ORDERING INFORMATION

PRD013	1237000272	PROTEUS RADIUS
TRIGGER CLAMP	1741000032	Heavy Duty Wrap Around Hook Style Clamp
STR527	N/A	5 ft. (1.5m) IP65 5pin XLR Cable
		Additional Cable Lengths Available



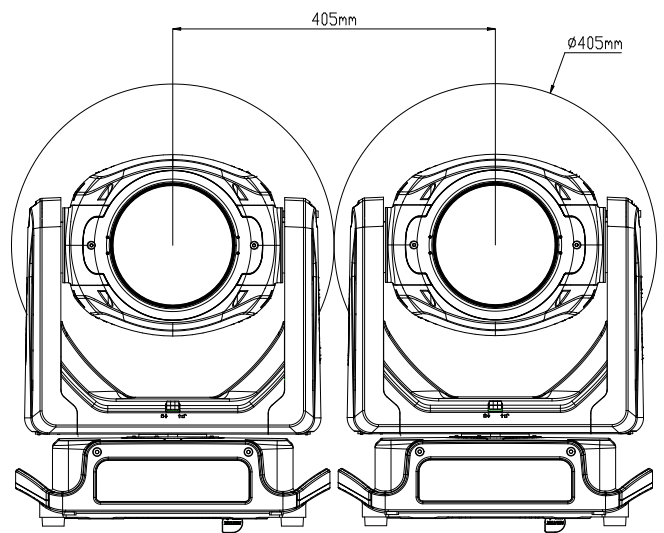
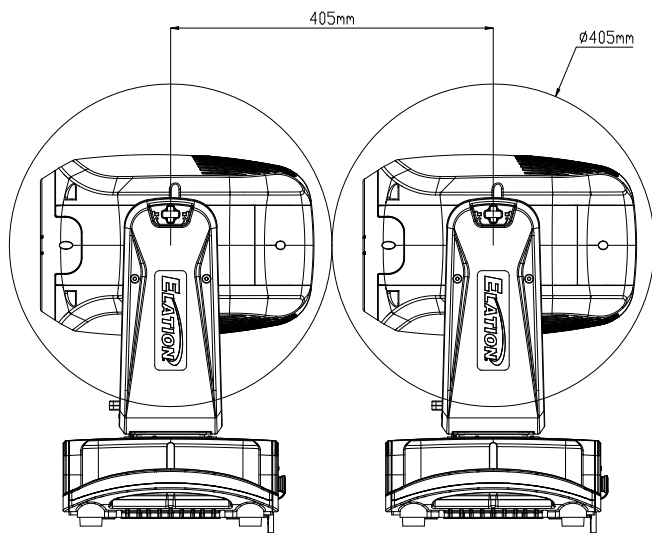
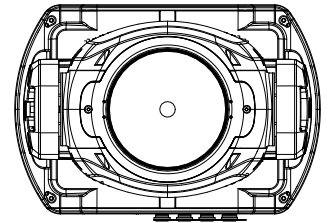
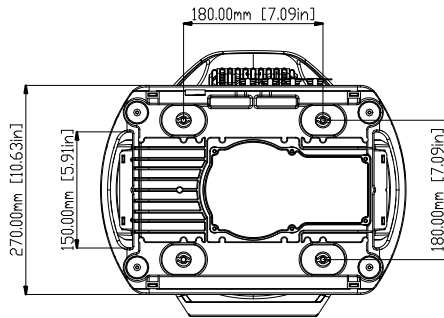
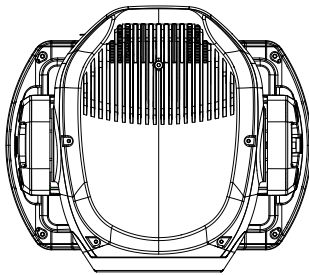
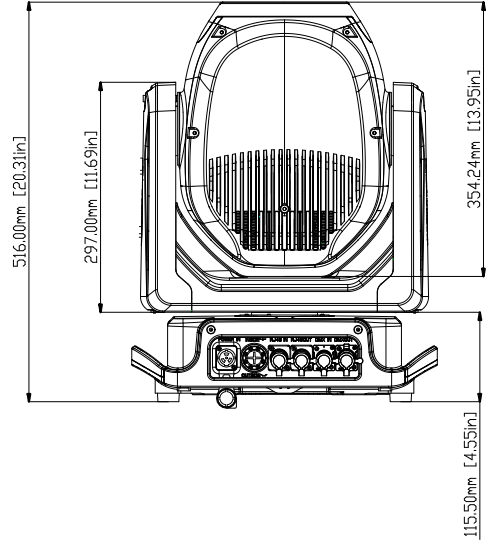
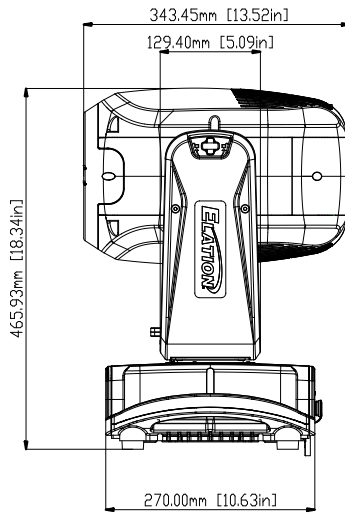
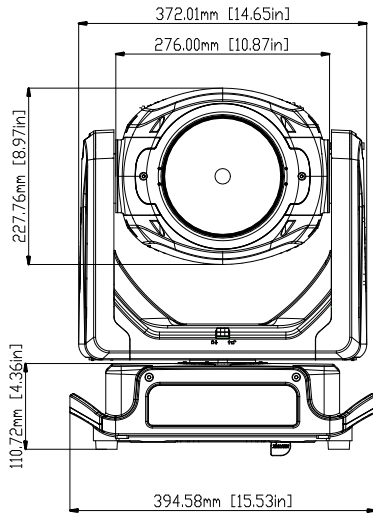


# PROTEUS RADIUS



100W Solid State Phosphor-Converted beam FX Fixture

## UNIT DIMENSIONS





# PROTEUS RADIUS



100W Solid State Phosphor-Converted beam FX Fixture

## FOAM IN-LAY DIMENSIONS

