



Proteus Hybrid Max



550W Discharge IP65 Hybrid Fixture

DATA SHEET



KEY FEATURES

Extreme Output 3-in-1 Beam, Spot, Wash Hybrid Fixture
Flex Lamp Technology 550W plus Smart Hibernation with
up to 4,000 Hour Lamp Life

Full CMY Color Mixing System, Variable CTO, Color Wheel
Creative FX Package: 8 Rotating and 16 Static Gobos, Dual
and Single-Track Animation, Iris, 4x Prism on Dual Planes,
2x Frost

Ultra-Fast Zoom

360° Endless Pan Motion

IP66 rating protects from water and dirt

Sky Motion System for powerful searchlight and skytracker
animations

The **PROTEUS HYBRID MAX™** combines high output and long lamp life in a feature packed compact IP66 Hybrid fixture. PROTEUS HYBRID MAX is the Extreme Output Hybrid featuring the innovative Philips MSD Platinum FLEX 500 lamp.

Rated at 550W and up to 4,000 hours smart lamp life the HYBRID MAX includes CMY and variable CTO plus a full complement of projection and effects options. Four prisms on two planes, dual frosts plus dual gobo wheel and three tracks of animation patterns round out the comprehensive FX package in a compact and lightweight housing. For extra impact the fixture features a fast continuous pan rotation. Delivering 22,000 lumens from its large 170mm front aperture, the PROTEUS HYBRID MAX has a crisp output for extremely powerful beams, sharp gobos and bright washes, making it a flexible fixture for almost any application, while providing an excellent return on investment.

The **PROTEUS HYBRID MAX™** includes the innovative Sky Motion system to operate the fixture as an impactful searchlight effect without the need for a dedicated lighting controller. Multiple fixtures can be interconnected, and with the simple assignment of IDs the fixture provides immediate access to a variety of movement patterns that are easily adjustable in size, speed, and color directly from the display. Comparable in output to large format Xenon fixtures the **PROTEUS HYBRID MAX™** operates at a fraction of the power, supports a wide range of 100-240V, has a much smaller footprint, lower weight and is fully IP66 rated. The Sky Motion system allows standalone operation for events and applications and is easy to set up and adjust directly from the display of the fixture even for “non-lighting” users and expands the usability of the fixture beyond traditional show lighting applications.



Proteus Hybrid Max



550W Discharge IP65 Hybrid Fixture

SPECIFICATIONS

SOURCE

Philips MSD Platinum 500 Flex 550W Lamp
Variable Lamp Power
Automated Lamp Hibernation with Instant Recovery
Up to 4,000 Hour Lamp Life*

*Test lab conditions. May vary depending on several factors including but not limited to:
Environmental Conditions, Power/Voltage, Usage Patterns (On-Off Cycling), Control, and Dimming.

PHOTOMETRIC DATA

22,000+ Lumen Total Fixture Output
Zoom Range 1.9° - 44.5°

EFFECTS

Beam, Spot and Wash Modes
Motorized Zoom
Dual Frost Filter for Light Frost/ Full Wash
4 Prisms on Dual Planes
Iris
CMY Color, Gobo, Prism Macros
Motorized Focus with Auto-Focus Feature
High Speed Shutter and Strobe
Pan Angle: 540°/630°
Tilt Angle: 250°

COLOR

Full CMY Color Mixing System
Variable CTO
16 Position Color Wheel

GOBOS

2 Gobo Wheels
8 Interchangeable-Rotating / Indexing Glass Gobos
16 Static-Stamped Metal Gobos plus Animation Track
Dual Track Animation Wheel

CONTROL / CONNECTIONS

2 DMX Channel Modes (32, 43)
4 Button Touch Panel
Full Color 180° Reversible LCD Menu Display
DMX, RDM, Art-Net and sACN Protocol Support
IP66 5pin DMX In/Out
IP66 RJ45 Ethernet In/Out
IP66 Locking Power Cable In/Out

SIZE / WEIGHT

Length: 18.2" (462mm)
Width: 18.8" (477mm)
Height: 26.65" (677mm)
Weight: 79.4lbs. (36kg)

ELECTRICAL / THERMAL

AC 100-240V 50/60Hz
800 W Max Power Consumption
-4°F to 113°F (-20°C to 45°C)

APPROVALS / RATINGS

CE | cETLus | IP66



Specifications are subject to change without notice ©Elation Professional 11/29/2023

Elation Professional USA | 6122 S. Eastern Ave. | Los Angeles, CA. 90040
323-582-3322 | 323-832-9142 fax | www.elationlighting.com | info@elationlighting.com

Elation Professional B.V. | Junostraat 2 | 6468 EW Kerkrade, The Netherlands
+31 45 546 85 66 | +31 45 546 85 96 fax | www.elationlighting.eu | info@elationlighting.eu



Proteus Hybrid Max

550W Discharge IP65 Hybrid Fixture

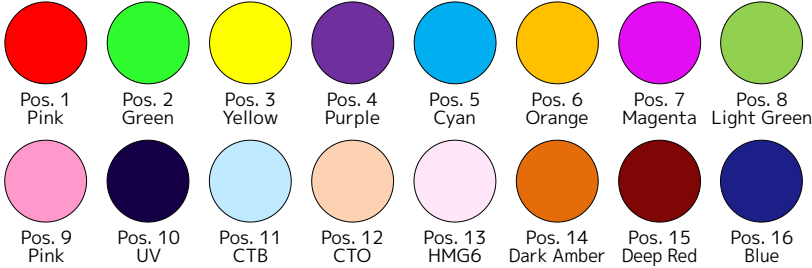


GOBOS | COLORS | ANIMATION WHEEL

COLOR FLAGS



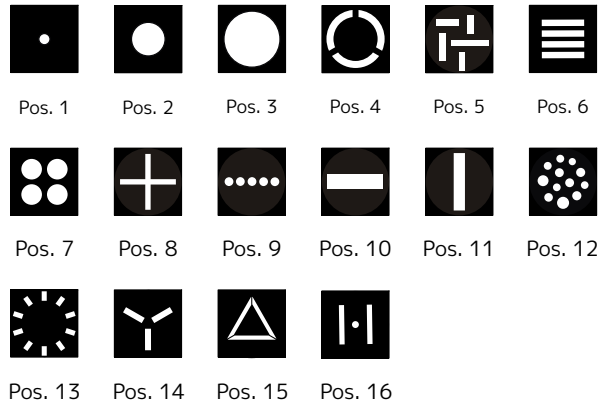
COLOR WHEEL



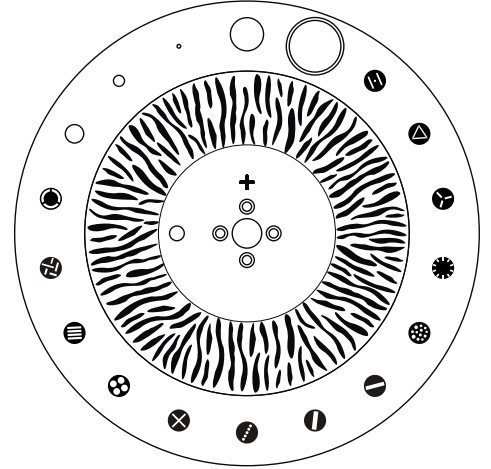
ROTATING GOBO WHEEL



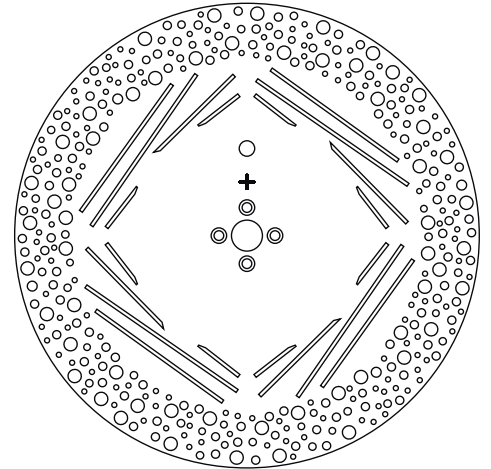
FIXED GOBO WHEEL GOBOS



FIXED GOBO + ANIMATION WHEEL



DUAL TRACK ANIMATION WHEEL



ORDERING INFORMATION

PHM012	1237000271	PROTEUS HYBRID MAX
PHM023	1237000282	PROTEUS HYBRID MAX WMG
TRIGGER CLAMP	N/A	Heavy Duty Wrap Around Hook Style Clamp
AC5PDMX5PRO	N/A	5 ft. (1.5m) IP65 5pin XLR Cable
SIP126	N/A	5 ft. (1.5m) IP66 Twist Lock Power Link Cable



Specifications are subject to change without notice ©Elation Professional 11/29/2023

Elation Professional USA | 6122 S. Eastern Ave. | Los Angeles, CA. 90040
323-582-3322 | 323-832-9142 fax | www.elationlighting.com | info@elationlighting.com

Elation Professional B.V. | Junostraat 2 | 6468 EW Kerkrade, The Netherlands
+31 45 546 85 66 | +31 45 546 85 96 fax | www.elationlighting.eu | info@elationlighting.eu

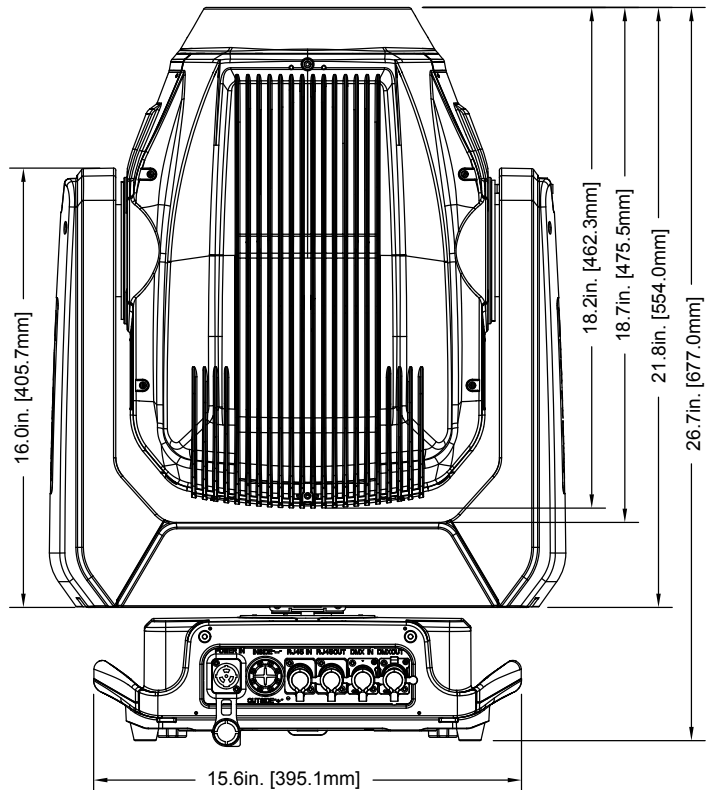
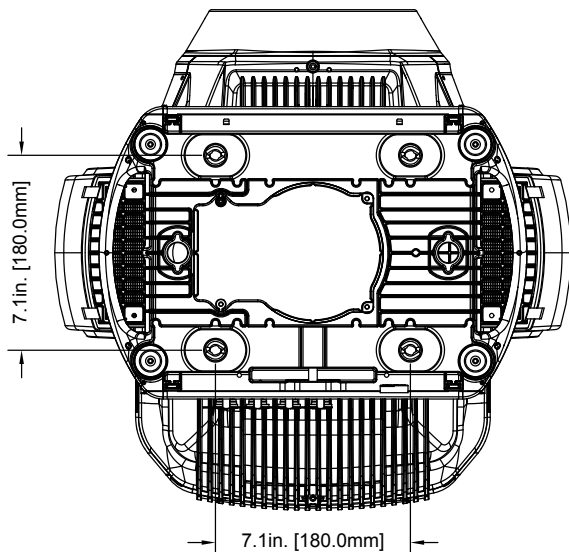
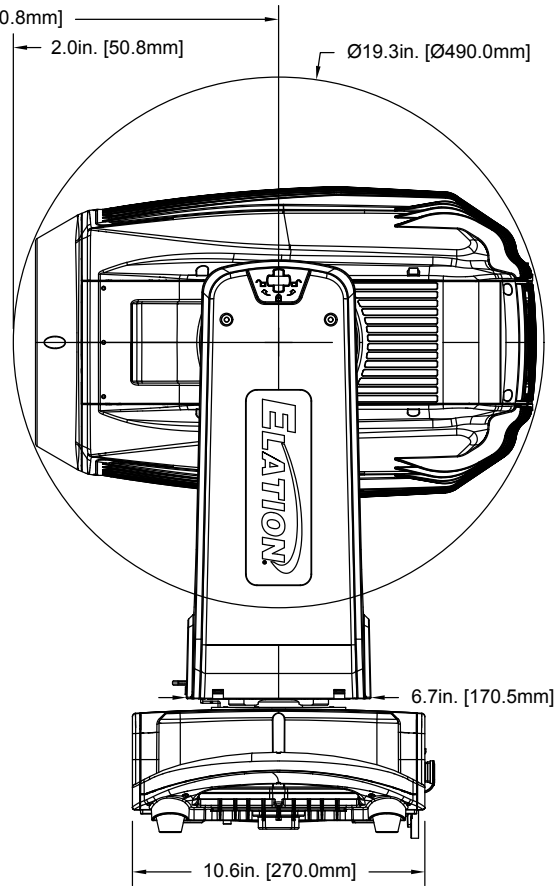
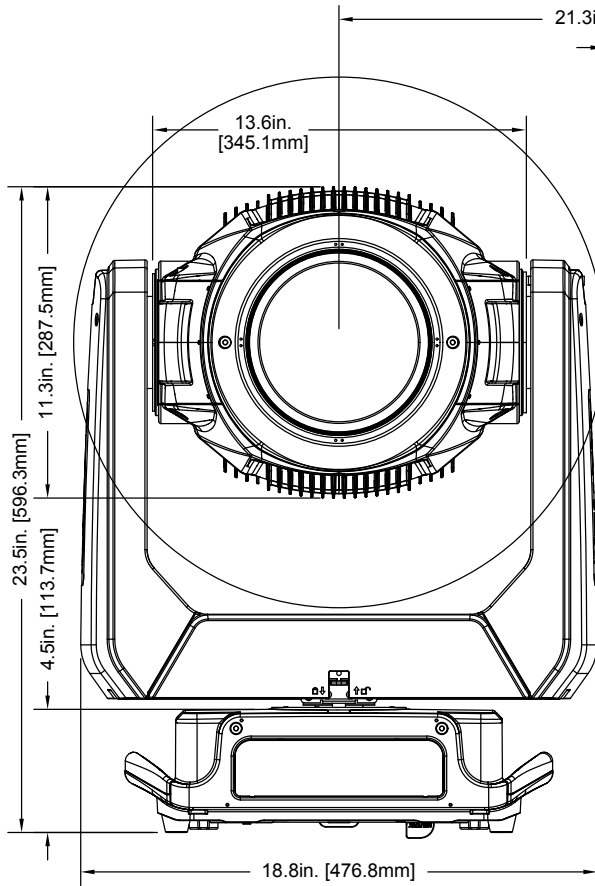


Proteus Hybrid Max



550W Discharge IP65 Hybrid Fixture

UNIT DIMENSIONS





Proteus Hybrid Max

550W Discharge IP65 Hybrid Fixture



FOAM IN-LAY DIMENSIONS

