



Type(s)
 Project
 Date
 Notes

GENERAL INFORMATION

The Source 4WRD Color LED engine transforms your existing Source Four incandescent profile into an RGBA LED fixture, unlocking the world of additive color mixing, saturated washes, and quick color changes. It means more stage looks with fewer fixtures using less energy and needing less maintenance. The simple and quick upgrade is nondestructive and takes less than five minutes. Source 4WRD Color uses switched power, 100–240 VAC, and dims via DMX. And, because it is an LED source, your fixtures will run cool and efficiently without lamp replacements.

APPLICATIONS

- Energy-saving retrofits
- Houses of worship
- Universities and schools
- Hospitality
- Retail
- Exhibition centers
- Meeting rooms
- Clubs
- Theatres

ORDERING INFORMATION

Source 4WRD Color

MODEL	DESCRIPTION	UL PART NUMBER	CE PART NUMBER	
S4WRDC	Source 4WRD Color Retrofit Kit	7068A1001	7068A1201	

For white please add -1 to the model / part number.

Ordering information continued on page 6.



PRODUCT SPECIFICATIONS

Source

LED details	Nichia LEDs
Max lumens (Full On / 3200 K / 5600 K)	4,881 / 3,713 / 4,463
Lumens per watt (Full On / 3200 K / 5600 K)	33.9 / 36.8 / 34.3
L70 rating (hours to 70% output)	>60,000 hours*

*L70 value based on manufacturer's anticipated results

Color

Colors used	RGBA (Red, Green, Blue and Amber)
Color temperature range	2,200–6,500 K
Calibrated array	Yes
Red shift	No

Optical

Field angle range	Swappable lens tubes between 5–90 degrees
Gate size	79 mm
Aperture size	Lens dependent
Pattern projection	Yes
Pattern size	A or B (see manual)
Camera flicker control/ Hz range	Yes, 1.2 K and 20 K

Control

Input method	DMX Control
Protocols	DMX / RDM via RJ45
Modes (Footprint)	1 (1- Intensity, 2- Red, 3- Green, 4- Blue, 5- Amber, 6- Strobe)
RDM configuration	Yes
UI type	7-segment address display
Local control	No
Onboard presets	Yes, 12
Onboard sequences	Yes, 5
Onboard effects	No
FixtureLink support	Yes

Electrical

Voltage range	100–240 V (50–60 Hz)
Input method	Hardwired, 1 m cord, bare end or various connector options (120 V) Hardwired, 1 m cord, bare end (240 V)
Inrush	32 A (first half-cycle) at 120 V 60 A (first half-cycle) at 240 V
Fixtures per circuit	120 V: 10 (20 A switched circuit, R20 module or similar) 240 V: 10 fixtures per non-dimmed circuit (ER15AFR module)
Wattage (Typical/ Standby)	146 W / 3.0 W (120 V) 143 W / 2.9 W (240 V)
Current draw	1.25 A at 120 V 0.67 A at 240 V

Thermal

Ambient operating temp	5°–40° C (41°–104° F)
Fan (controllable)	Yes (no)
Droop compensation	No
dB range	27 dBA (average at 1 m)
BTUs/hour	458 (120 V) 449 (240 V)

Physical

Materials	Cast aluminum
Color options	Black, white, or custom color
Mounting options	Yoke
IP rating	IP20, indoor only
Weight	3.6 lb (1.63 kg) (Retrofit only)
Included accessories	Source 4WRD mounting post and reflector diffusion

Warranty

Retrofit kit	Three years
--------------	-------------

Regulatory and Compliance

Approved regulatory standards	UL 1573 (complete luminaire) UL 1598C (retrofit kit) CSA C22.2 No. 166 (complete luminaire) CSA TIL B79-A (retrofit kit) CE Compliant
-------------------------------	---

PRODUCT FEATURES



EASY LED RETROFIT

Designed to turn any full size Source Four incandescent fixture into an LED fixture in seconds.

LEND COLOR TO ANY SPACE

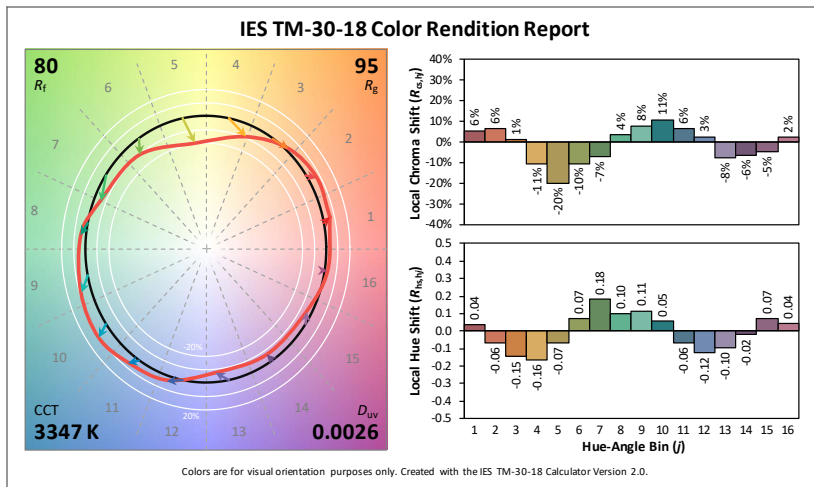
Millions of colors with the same fixtures you've relied on for years.

DMX AND LOCAL CONTROL

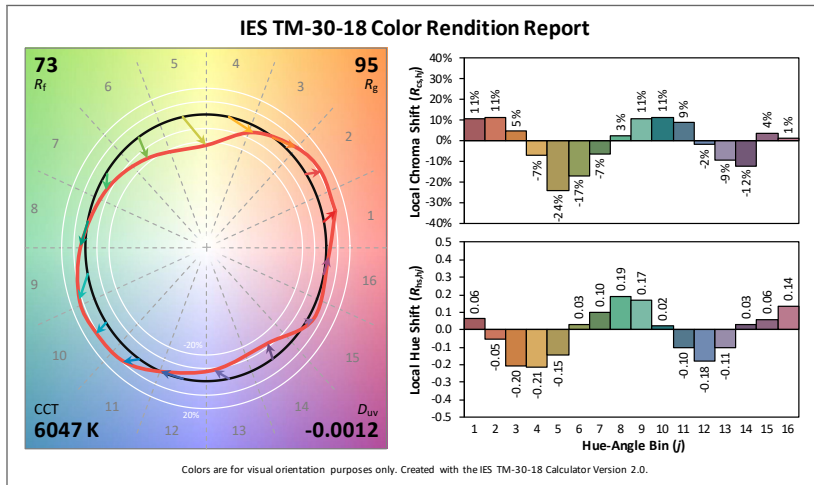
DMX In and Thru, with 12 built-in color presets and 5 built-in sequences for stand-alone operation.

COLOR METRIC INFORMATION

SOURCE 4WRD COLOR 3200 K TM-30-18

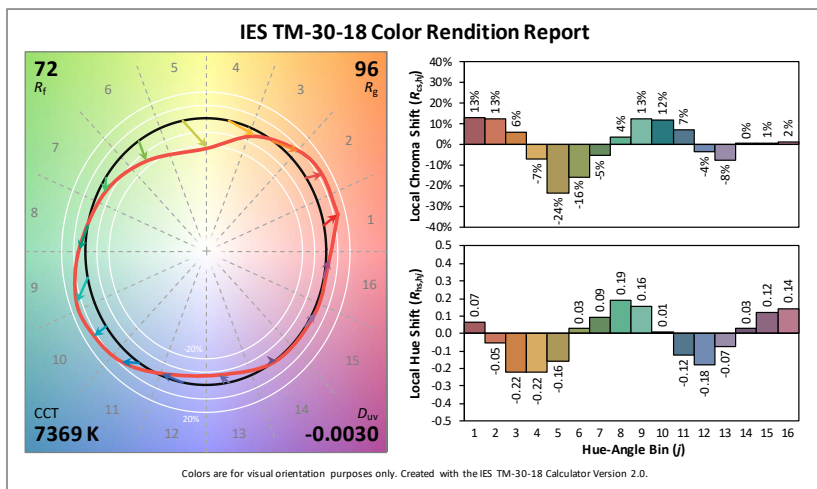


SOURCE 4WRD COLOR 5600 K TM-30-18



COLOR METRIC INFORMATION

SOURCE 4WRD COLOR FULL-ON



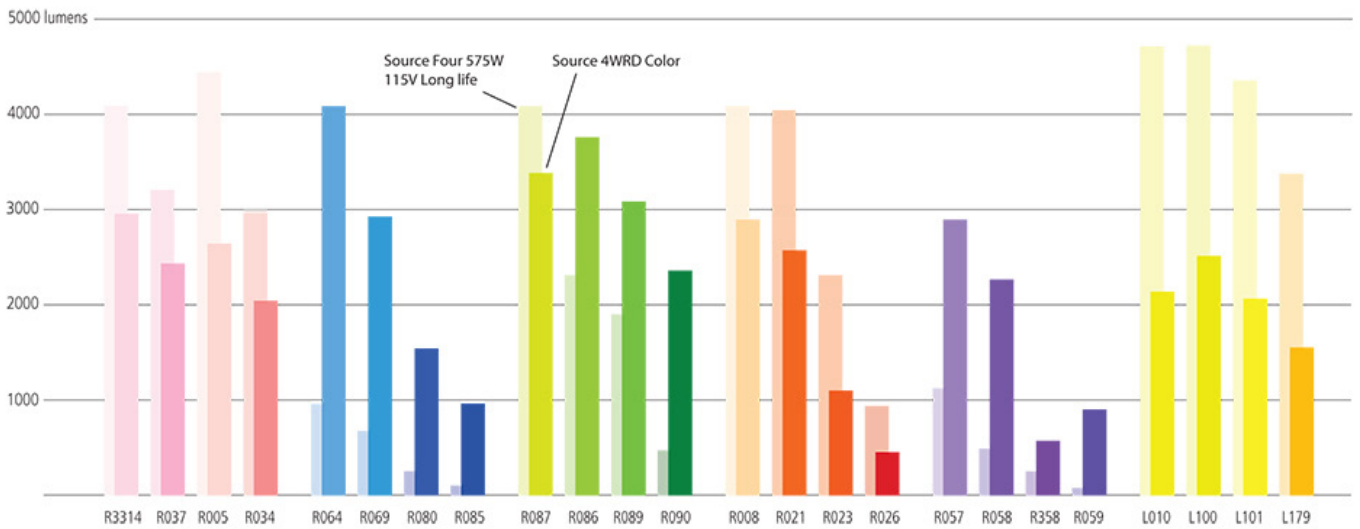
Additional Color Metrics

	3200 K	5600 K
CRI R_a (R_9)	83 (57)	72 (1)
TLCI	75	69

PHOTOMETRY INFORMATION

For full Source 4WRD Color photometry data, please view the Source 4WRD Photometry Guide at etcconnect.com.

DEGREE	S4WRD COLOR FULL-ON	S4WRD COLOR 3200 K	S4WRD COLOR 5600 K
5	2,735	2,081	2,501
10	3,453	2,627	3,157
14	3,605	2,743	3,296
19	3,057	2,326	2,795
19 EDLT	3,583	2,726	3,276
26	3,728	2,837	3,408
26 EDLT	4,811	3,713	4,463
36	4,576	3,482	4,184
36 EDLT	4,559	3,469	4,168
50	4,113	3,130	3,760
50 EDLT	4,176	3,178	3,818
70	4,974	3,785	4,548
90	4,784	3,640	4,374



ORDERING INFORMATION

Continued from front page...

Source Four Accessories

MODEL	DESCRIPTION	CE PART NUMBERS
400PH-A	Pattern holder (A size)	7060A1013
400PH-B	Pattern holder (B size)	7060A1014
400PH-G	Glass pattern holder	7060A1019
400SC	Safety cable	7060A1022
400RS	Drop-in iris	7060A1012
400CF	Colorframe (160 mm / 6.25 in)	7060A3043
400DN	Donut (160 mm / 6.25 in)	7060A1015
400TH	Top hat	PSF1021
400HH	Half hat	PSF10216
407CF	7.5 in Square color frame (required for 14°, 70°, 90° and 407GE)	7061A3007
400FB	Source Four fixture body, single clutch	7060A1099
S4WRDACCKIT	Data Accessory Kit, Includes W6538, W6539 & N4086	7067K1001
W6538	RJ45 to Female 5-pin XLR adapter	W6538
W6539	RJ45 to Male 5-pin XLR adapter	W6539
N4086	RJ45 DMX Terminator	N4086

Note: For colors other than black or white, please call ETC.

Lens Tubes

MODEL	DESCRIPTION	CE PART NUMBERS
490LT	90° Lens tube with lens installed, Black	7060A2052-K
470LT	70° Lens tube with lens installed, Black	7060A2051-K
450LT	50° Lens tube with lens installed, Black	7060A2205-K
436LT	36° Lens tube with lens installed, Black	7060A2204-K
426LT	26° Lens tube with lens installed, Black	7060A2203-K
419LT	19° Lens tube with lens installed, Black	7060A2202-K
414LT	14° Lens tube with lens installed, Black	7060A2050-K
410LT	10° Lens tube with lens installed, Black	7060A2001-K
405LT	5° Lens tube with lens installed, Black	7060A2000-K
450EDLT	50° EDLT Lens tube with lens installed, Black	7060A2049
436EDLT	36° EDLT Lens tube with lens installed, Black	7060A2048
426EDLT	26° EDLT Lens tube with lens installed, Black	7060A2047
419EDLT	19° EDLT Lens tube with lens installed, Black	7060A2046

PHYSICAL

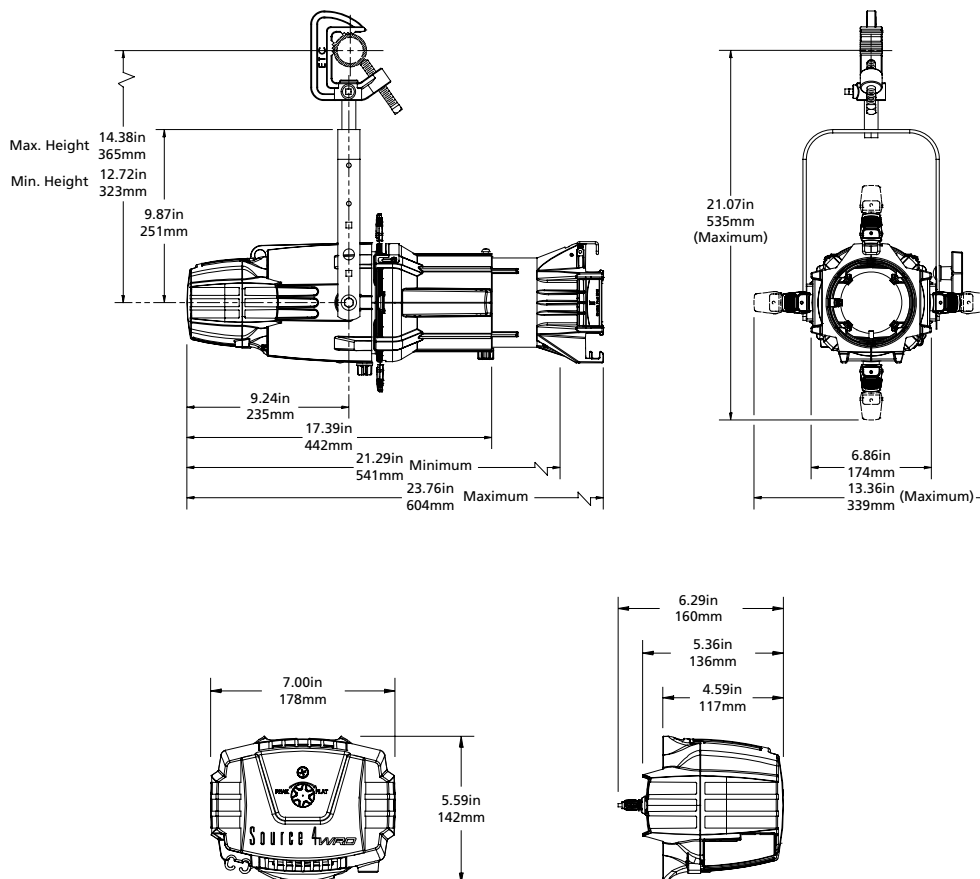
Source 4WRD Color Dimensions (120 V and 240 V)

MODEL	HEIGHT		WIDTH		DEPTH	
	in	mm	in	mm	in	mm
Source 4WRD Color retrofit	5.59	142	7.00	178	6.29	160
Source 4WRD Color with fixture body and 26° lens tube	21.07	535	13.36	339	23.76	604

Source 4WRD Color Weights* (120 V and 240 V)

MODEL	WEIGHT		SHIPPING WEIGHT	
	lb	kg	lb	kg
Source 4WRD Color retrofit	3.73	1.69	4.25	1.93
Source 4WRD Color with fixture body	13.20	5.99	14.00	6.35

*Source 4WRD Color adds 0.93 kg (2.05 lb) to the total fixture weight over a standard burner assembly.



Corporate Headquarters • Middleton, WI USA
 Global Offices • London, UK • Rome, IT • Holzkirchen, DE • Paris, FR • Hong Kong • Dubai, UAE • Singapore • New York, NY • Orlando, FL • Los Angeles, CA

Copyright©2021 ETC. All Rights Reserved. All product information and specifications subject to change. Rev C 2021-01
 Trademark and patent info: etconnect.com/dp

etconnect.com