

G3000 Mega Fog Burst

Operators Manual

Table of Contents

Introduction	1
Warning	1
Safety Precautions	1
Technical Specifications	2
Technical Drawings	2
Technical Specifications w/ G3000.....	3
Technical Drawings w/ G3000.....	3
Mega Fog Burst Setup.....	4
Compressed Gases	4
Operating Procedure	5
Digital Remote Operation	5
DMX Operation	6
Maintenance Procedure	6
Troubleshooting.....	6
Warranty	7
Contact Information	8

Introduction

Create a Large Fog Burst with a G3000, the Mega Fog Burst attachment is controlled by the Standard On-Board DMX controls and the Auxiliary AC outlet on the rear of the machine. This complete package allows for amazing control while offering similar effects to Cryogenics from a fraction of the operational costs.

*****G3000 Fog Machine sold separately**



Warning!!



Important Safety Instructions:

1. Do not touch, place hands or expose skin within 20”(50cm) of the discharge nozzle.
2. Do not remove the outer case.
3. Persons suffering from asthma or allergenic sensitivity may experience irritation, discomfort or allergic symptoms when exposed to fog effects.
4. Ensure that this unit is grounded at all times. Failure to do so may result in serious injury.
5. Use Ultratec Special Effects fluids only.

SDS is available at www.ultratecfx.com



Safety Precautions

1. Ensure that any operation of the machine is supervised by suitably trained and authorized personnel.
2. Do not modify the machine or use a machine which has been damaged in any way.
3. Allow sufficient air circulation around the machine at all times.
4. Protect the machine from direct weather effects and wet locations. Suitable for dry locations only.
5. Only use fog fluid by Ultratec Special Effects.
6. Do not continue to produce fog in an enclosed area when visibility is reduced below 20”(50cm).
7. Avoid direct fog output continuously at persons, structures or objects within close proximity of the discharge nozzle.
8. Ensure that adequate exhausting arrangements are available in the event of an emergency.
9. Do not place hands or exposed skin within the first 20”(50cm) of the discharge nozzle at any time during fog production.
10. Fog effects can trigger smoke alarms and detectors. Please take suitable precautions to prevent false alarms.

Technical Specifications

Model:	G3000 Mega Fog Burst		
CLF-4475	G3000 Mega Fog Burst 110V		
CLF-4477	G3000 Mega Fog Burst 220V		
Length:	10 in / 25 cm		
Width:	10 in / 25 cm		
Height:	10 in / 25 cm		
Net Weight:	12 lbs / 5 kgs		
Power Rating:	120 Volt A.C.	50/60 Hz.	1 A.
	220-240 Volt A.C.	50/60 Hz.	0.5 A.

Ultratec Special Effects Mega Fog Burst Air Requirements in SCFM:

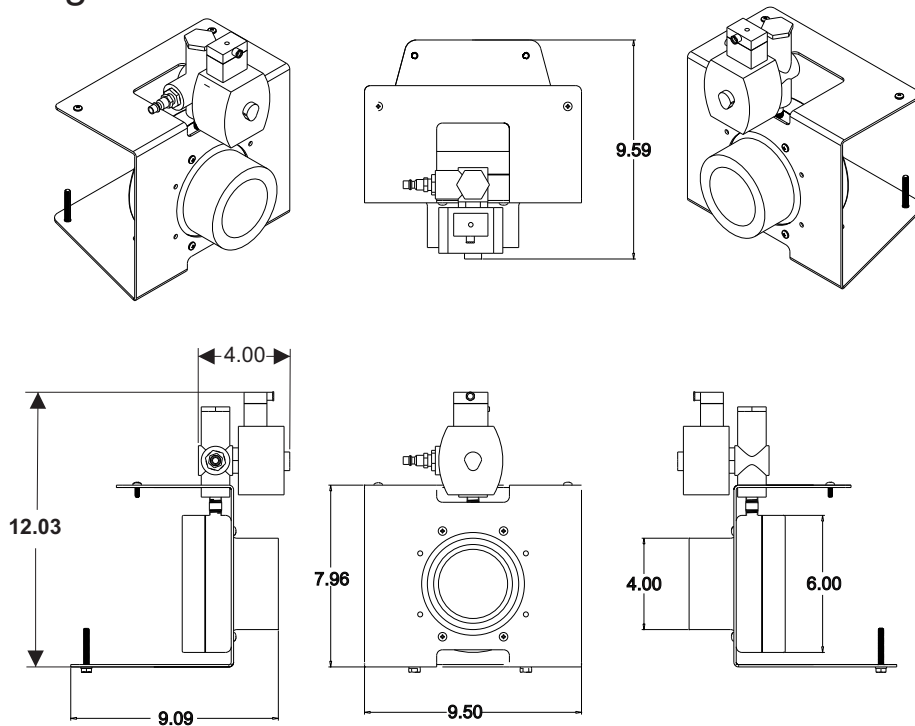
Pressure	Consumption(SCFM)
20 PSI	16
40 PSI	23
60 PSI	30
80 PSI	37
90 PSI	40
100 PSI	44

The Mega Fog Burst gives 17 times output or about 750 CFM @ 100 PSI

Approvals: This product has been certified to CSA/UL Standards by QPS Canada Inc

NOTE: These specifications are for the Mega Fog Burst only. For specifications with the G3000 see next page.

Technical Drawings



Technical Specifications

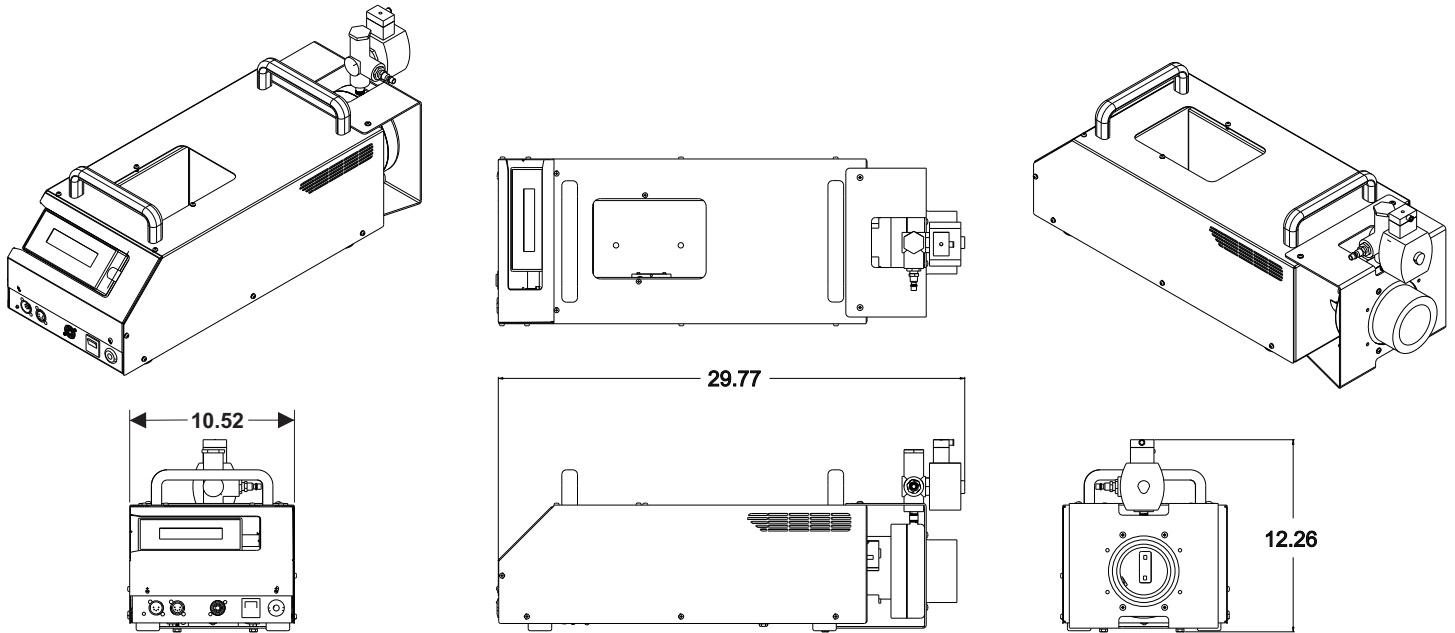
G3000 and Mega Fog Burst

Length: 29.8 in / 76 cm
Width: 10.5 in / 26 cm
Height: 12.2 in / 31 cm
Net Weight: 64 Lbs/ 29 kg

Power Rating: 120 Volt A.C. 50/60 Hz. 18 A.
220-240 Volt A.C. 50/60 Hz. 9.5 A.

Approvals: This product has been certified to CSA/UL Standards by QPS Canada Inc

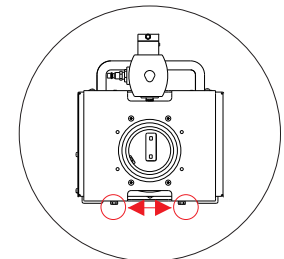
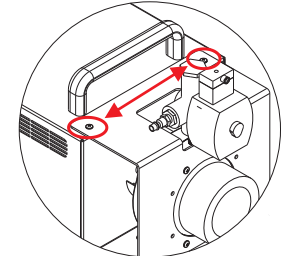
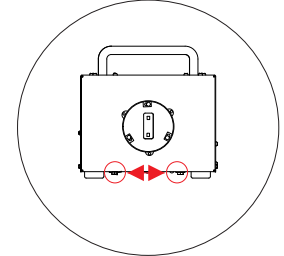
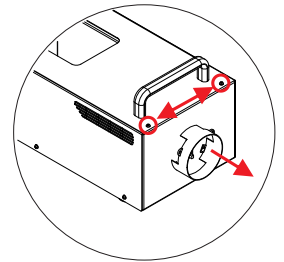
Technical Drawings



Mega Fog Burst Setup

To connect the Mega Fog Burst to the G3000.

- 1) Remove the two front top screws from the G3000 and the two front bottom screws from the block holder.
- 2) Remove the 4" ducting adapter from the front of the G3000.
- 3) Position the Mega Fog Burst on front of the G3000 with the valve assembly facing upwards.
- 4) Line up the two top holes in the Mega Fog Burst with the two holes on the top front of the G3000.
- 5) Reinstall top two screws removed.
- 6) Line up the two bottom holes on the Mega Fog Burst bracket with the two heater block mounting holes on the bottom of the G3000.
- 7) Install longer bolts provided with Mega Fog Burst.
- 8) Connect your compressed gas source to the valve (remember to use a gas pressure regulator if your source gas pressure is greater than 100 PSI).
- 9) Connect the power cord from the Mega Fog Burst to the Auxiliary port on the back of the G3000.



Compressed Gases

The compressed gas does not have to be air, you can use nitrogen or CO2 gas. CO2 is liquid in the tank so you can get a large volume from a small tank and regulator. A pressure regulator to drop the pressure is required. The number of cycles would depend on the volume of your tank. We offer a regulator and hose accessory to facilitate this. (see below).

CXP-1968 CO2 Regulator with 5 foot hose & High flow quick disconnect.

This unit is used to supply regulated CO2 gas to run devices that require a source of compressed gas. Shown here on a 5 pound CO2 tank, **(tank is not included.)**



Air flow connections for Mega Fog Burst.

Due to the high volume of air required for the Mega fog Burst to operate, the sizing of the supply source must be accounted for. The 1/4" M coupling, is the most common in shop airlines. Unfortunately standard 1/4" M female style couplings and airlines are inadequate for this task. Ultratec recommends a high flow coupling on the Mega Fog Burst. These couplers can be identified with the blue band around the female fitting. These fittings come standard with the CXP-1968 CO2 Regulator with 5 foot hose & High flow quick disconnect above.



For best results hoses should be 3/8-1/2" diameter. If you are going to be using long runs then larger diameter hose is needed (5/8"-3/4") and the 3/8" M coupler would be recommended. Your source should have 5 gallons of storage capacity for each second of blast.

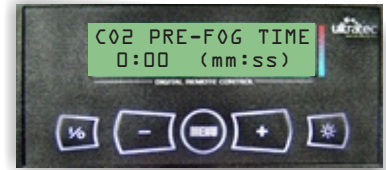
Operating Procedure

Digital Remote Operation.

- 1) Adjust the remote flow rate “D” (demand) using + and – buttons to desired fog output level.
- 2) To set the cycle time of the effect, press the menu button on the G3000 to “Set Cycle On”. If a preset cycle time is not required, set value to 0:01 and press menu to select and go to the next screen.
- 3) To “Set Cycle Off” time, enter value a value to represent the duration of the effect. If a cycle time is not required, set the value to 0:00 and press the menu to select and go to the next screen.



- 4) **LSG PRE FOG TIME or CO2 PRE FOG TIME:** When using the remote, a minimum time of 0:01 is needed to turn on the Mega Fog burst (auxiliary output).



- 5) Press Menu button again to change screen to DMX menu, and press Menu button again for Low Fluid Stop menu. Set Low Fluid Stop to “Off” or “On” if needed. When set to “On” the fluid pumps will stop automatically when a low fluid level is detected when the fluid bottle is in the jug holder. **TECH TIP:** Leave the setting at “Off” when using a G3000 with a 5' industrial hose.
- 6) Press Menu button again to change screen to next menu selection. Screen will be back to main menu. Ensure that fog machine is fully heated by looking at the right side of the screen. The temperature bar graph will be to the top and the letter H in the bottom right will no longer be displayed. Press I/O button to turn fog output “On” or “Off”.
- 7) The PRE-FOG TIME that was set will show up in the bottom left side and start to count down. The letter “R” will show up on the bottom right side of the screen.
- 8) Once the PRE-FOG TIME countdown reaches 0:00, the fluid pumps will start at the set flow rate (Demand). Fog will start to flow out the G3000/Mega Fog Burst.

Note: The Mega Fog Burst Valve will open as soon as the PRE-FOG TIME counter starts.

- 9) If you have set the ON / OFF cycle timers mentioned previously, the next time that is displayed in the bottom left of the screen will be first be the ON time and once that reaches 0:00 the next time that is shown is the OFF time at which point the fluid pumps will stop and the Mega Fog Burst will turn Off. Once the Off time reaches 0:00 the time will switch back to the PRE-FOG TIME again and the whole process starts over again. (Step 7).

DMX Operation

Note: The G3000 requires 2 channels of DMX for the Mega Fog Burst to operate.

- 1) Attach a DMX signal to the “DMX IN” 5 pin connector on the rear of the unit. For good DMX practice, a terminator is used on the “DMX OUT” connector.
- 2) Press the Menu button 3 times to get to the DMX address selection screen.
- 3) Select a valid DMX address on the digital remote.
- 4) Data = Fog rate controlled 0-100%, DMX+1=Mega Fog Burst power turns on above 50%.
- 5) Valid DMX LED on the back of the G3000 is on solid if good DMX signal is present. Slow or irregular flashing indicates a poor DMX signal. DMX control overrides the digital remote flow, Cycle timers and PRE-FOG TIME settings.
- 6) The screen will show the words DMX and the set DMX address at the bottom left.
- 7) Bring up the 2nd DMX channel that you have set above 50% to turn on the Mega Fog Burst valve. Select the 1st DMX channel to the desired flow to turn the fluid pumps On.
- 8) The screen will show the letter “R” in the bottom right to indicate the Mega Fog Burst is powered On.
- 9) Set both DMX channel values to zero to stop the effect.



Maintenance Procedure

Exterior

The casing of the Mega Fog Burst is steel with a powder paint coating. To clean simply disconnect power source and wash with a cloth and mild soap and warm water.

Troubleshooting

Check gas pressure: Is compressed gas getting to the solenoid valve?

Check that the air line is connected to a suitable air source at the required pressure.

Power to solenoid: Is power getting to the solenoid?

Check that Mega Fog Burst is connected to the G3000 power source.

If using digital remote: Check that PRE-FOG CO2 time is set to a minimum of 0:01 to have the Mega Fog Burst turn on .

If using DMX: Check that the second DMX channel being used to control the auxiliary output is at a minimum of 50%.

Warranty

Hardware products come with a five-year warranty on parts and labor. If the unit in question has a material defect or fault that is caused in manufacturing, Ultratec Special Effects will provide free parts and labor to remedy the equipment. Ultratec Special Effects service department must be advised in a timely manner after defect appearance and the date of warranty request must be within five years of sale/purchase. Proof of sale and/or proof of purchase will be required for warranty to take effect.

Warranty service will be performed as follows: faulty parts will be repaired or replaced with the same or comparable parts, based on availability. Freight to our facility for warranty requests will be prepaid by the user/dealer. Upon completion of the repair, Ultratec Special Effects will return the unit via the most economical means available. Should you require the item express-returned, the user/dealer is responsible for indicating this request and for any difference in freight cost.

Warranty will be voided, and customer will lose all rights guaranteed by the warranty if any of the following are observed/occur:

If any non Ultratec Special Effects fluid is used at any point of operation.

If any adjustments or repairs are done to the machine in question by repair technicians not authorized by Ultratec Special Effects.

If our repair technicians observe any signs of incorrect handling/treating of machine in question.

Warranty services do not cause an extension of the warranty nor does a repaired product start a new warranty. This warranty only applies to the product supplied by Ultratec Special Effects, Ultratec Special Effects is not responsible for any losses, costs, or damages from the use of a defective product.

Any additional costs incurred are the responsibility of the Dealer and/ or the customer.

An RA (Return Authorization) number must be noted on the outside of each box being returned to our facility. Any package(s) without an RA number clearly marked, will not be accepted by our receiving department.

Export Distributors are required to carry out the warranty repair, parts will be supplied by Ultratec.

Please do not forget to remove any liquid from the machine when sending in for repair.

Please remember to include the RA Number on all items being shipped for repairs.

To request a Return Authorization number please refer to our website - instructions below:

- 1) www.ultratecfx.com
- 2) Click on the Fog & Atmospheric Icon
- 3) Click on the REQUEST RMA Tab along the top of the screen
- 4) Fill in the required information
- 5) Click "Submit" button

If you have any questions or require assistance please contact service at 519-951-3355/866-534-5557 or by email at Service@Ultratecfx.com.

Contact Us

Head Office

Ultratec Special Effects
1960 Blue Heron Drive
London, Ontario N6H 5L9
Direct: 519-659-7972
Toll Free: 800-388-0617
Fax: 519-659-7713

Europe Office

Ultratec Special Effects GmbH
Dieselstrasse 30-40
60314
Frankfurt am Main
Germany
Direct: 49-69-87-000-1850
Fax: 49-69-87-000-1899

USA Shipping Address

(For All USA Repairs)
Ultratec Special Effects
640 Gadson Street
Groveland, Florida 34736

Canadian Shipping Address

(For All Canadian Repairs)
Ultratec Special Effects
1960 Blue Heron Drive
London, Ontario N6H 5L9

