



Date  
Project  
Fixture  
Comments

**GENERAL INFORMATION**

The Pro Four-Cell Square provides medium- to long-throw illumination and is ideal for use in locations where hanging space is limited. The Pro Four-Cell Square is equipped with a yoke offering maximum focusing flexibility. Manufactured from high-grade, powder-coated aluminum and steel, the luminaire is entirely convection cooled, meaning zero noise emission.

The Pro Four-Cell Square luminaire connects directly to a mains supply and is supplied complete with an onboard power supply. Intensity control is achieved either with a direct, wired-DMX connection to the luminaire's RJ45/etherCON connectors, or wirelessly using the separate ArcMesh Transmitter.

ArcSystem has been specifically developed for auditorium lighting applications where high-quality, extremely accurate and smooth dimming is required. The use of onboard device management in the driver allows all luminaires to be addressed remotely, ensuring fast and simple installation.

**GENERAL INFORMATION**

**APPLICATIONS**

- Auditoriums
- Work lights
- Lobbies
- Houses of worship
- Museums
- Studios

**FEATURES**

- Wired-DMX or wireless (ArcMesh) control protocols
- Stepless, smooth dimming to absolute zero
- Convection-cooled
- Silent operation
- Black or white paint finish options
  - Custom color paint finishes available by special order
- Available as a dual-input emergency version

**ORDERING INFORMATION**

**ArcSystem Pro Four-Cell Square**

MODEL	CONTROL	POWER	FADE-TO-WARM	COLOR TEMP	BEAM ANGLE	FIXTURE COLOR	MOUNTING
<b>ARCP4S</b> - Standard	<b>BLANK</b> - DMX/ArcMesh	<b>BLANK</b> - 100-240 VAC (IEC cord)	<b>BLANK</b> - Standard <b>F</b> - Fade To Warm	<b>2</b> - 2700 K <b>3</b> - 3000 K <b>35</b> - 3500 K <b>4</b> - 4000 K <b>5</b> - 5000 K	<b>19</b> - 19° <b>24</b> - 24° <b>37</b> - 37° <b>60</b> - 60°	<b>W</b> - White <b>B</b> - Black <b>C</b> - Custom	<b>Y</b> - Surface Yoke
<b>ARCPE4S</b> - Emergency	<b>RDM</b> - DMX/RDM	<b>277</b> - 100-277 VAC (hard-wired)	(only available with 2700 K and 3000 K options)				

To complete the form, simply select an option at the bottom of each column to populate the last row with your desired part number.

Color Options: Fixtures ship standard in black or white. For additional colors please contact ETC.



## PRODUCT SPECIFICATIONS (PRO FOUR-CELL SQUARE)

## Source

LED details	Bridgelux Vero 13 (standard) Vesta 15 (FTW)
Max field lumens	8,445 (3000 K 50°)
Lumens per watt	84
L70 rating (hours to 70% output)	50,000 hours

## Color

Colors used	Fixed white
Color temperature options	2700 K, 3000 K, 3500 K, 4000 K, 5000 K
Fade to warm	Optional on 2700 K and 3000 K

## Optical

Beam angle range	19 / 24 / 37 / 60
CRI	>90
TM-30-18 data	Refer to ArcSystem photometry guide
Photometry data	See below or refer to ArcSystem photometry guide

## Control

Input method	DMX-512 via RJ45/etherCON connector
Protocols	DMX, ArcMesh wireless, RDM (option)
Modes (footprint)	1-channel / 4-channel
RDM configuration	Yes (with RDM option)
UI type	PC config app for ArcMesh option
Local control	No
Notes	ArcMesh wireless control requires optional TX1 transmitter

## Electrical

Voltage range	100–240 VAC IEC or 100–277 VAC hard-wired
Input method	Standard luminaire options: Option 1: IEC Connector Option 2: wiring compartment with one half-inch knock-outs for field wiring  Emergency luminaire: Wiring compartment with two half-inch knock-outs for field wiring
Inrush	65 A at 120 V (at 25 C)
Wattage (max / standby)	100 W / <3 W
Current draw	0.84 A at 120 V

## Thermal

Ambient operating temp	0°–40° C (32°–104° F)
Fan (controllable)	N/A (convection cooled)
BTUs/hour	341

## Physical

Materials	Die-cast aluminum and cold-rolled steel
Color options	Black, white or custom color
Mounting options	Yoke
IP rating	IP-20 (dry locations only)
Weight (adj / fixed / yoke)	6.17 kg (13.60 lb)

Note: For non-Emergency and non 277 V versions, IEC Cable purchase is required. See page 3 for ordering details.

## Warranty

Full fixture	5 years
LED array	10 years

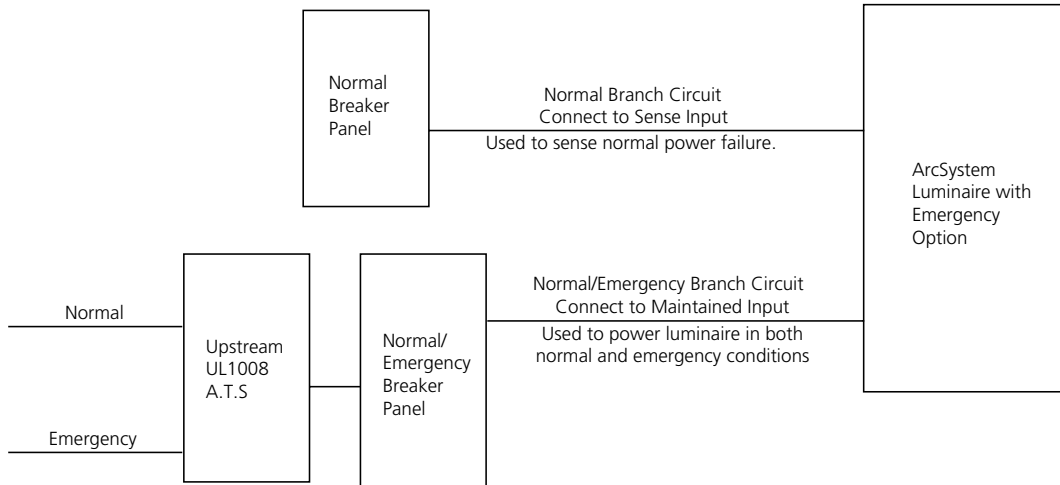
## Regulatory and Compliance

Approved regulatory standards	<b>Standard version:</b> cETLus Listed Conforms to ANSI/UL STD.1598 Certified to CSA STD. C22.2 No: 250 CE Compliant  <b>Emergency version:</b> cETLus Listed Conforms to ANSI/UL STD.924 Certified to CSA STD. C22.2 No: 141 CE Compliant
-------------------------------	--

**EMERGENCY CONNECTION**

A dual-input emergency version of this luminaire is available. Emergency luminaires require two line-voltage inputs that perform the following functions:

- Normal power/emergency power
- Normal power sense input



The sense input is used to detect whether normal utility power has been lost. This will force the luminaire on at 100% intensity running from the maintained supply. There is no control of the luminaire via wireless- or wired-DMX until normal utility power is restored to the sense input.

**PHOTOMETRY**

**Lumen table**

COLOR TEMP	BEAM ANGLE	FIELD ANGLE	FIELD LUMENS	BEAM LUMENS	MAX CANDELA
3000 K	19°	51.9°	5,414	2,356	56,160
3000 K	24°	60.0°	6,302	3,116	36,250
3000 K	37°	65.6°	7,085	3,622	17,890
3000 K	60°	84.2°	7,334	4,115	9,880

IES light files are available on request for all beam angles of ArcSystem.

Full photometry and color information for the ArcSystem family is available in the [ArcSystem Photometry and Color Info Guide](#).

**POWER CABLE**

**IEC cable option table**

PART NUMBER	CONNECTOR	DESCRIPTION
W6110	Edison	Power Cable, Edison Plug to IEC, 6 ft, Black
W6368-UK	British Square Pin	Power Cable, 13 A British Square Pin to IEC, 2 m, Black
W6659	16 A Ceeform	Power Cable, 16 A Ceeform to IEC, 6 ft, Black
W6368-EU	Schuko	Power Cable, Schuko to IEC, 2 m, Black
W6658	EU bare ends	Power Cable, Bare Ends to IEC, 2 m, Black

**NOTE:** Power cables required on Non-Emergency and 100–240 V versions of the fixture. Cables not included and must be specified by orderer.

PHYSICAL

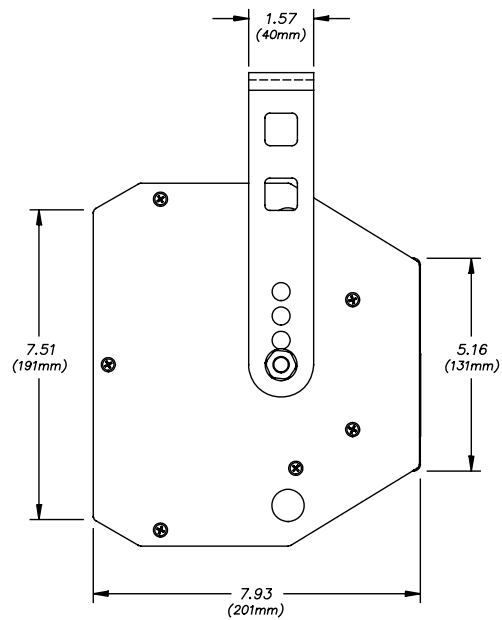
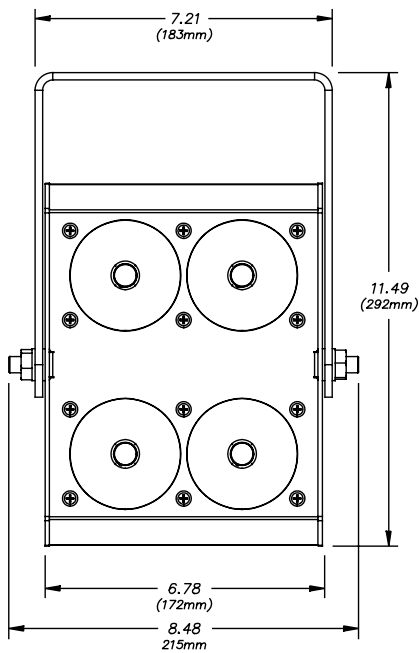
Pro Four-Cell Square Dimensions

MODEL	HEIGHT		WIDTH		DEPTH	
	in	mm	in	mm	in	mm
Pro Four-Cell Square	11.49	292	8.48	215	7.93	201
Pro Four-Cell Square Emergency	11.49	292	8.48	215	7.93	201

Pro Four-Cell Square Weights

MODEL	WEIGHT*		SHIPPING WEIGHT	
	lb	kg	lb	kg
Pro Four-Cell Square	13.6	6.17	15.9	7.21
Pro Four-Cell Square Emergency	14.4	6.53	16.7	5.57

\*Does not include mounting hardware



Corporate Headquarters • Middleton, WI USA

Global Offices • London, UK • Rome, IT • Holzkirchen, DE • Paris, FR • Hong Kong • Dubai, UAE • Singapore • New York, NY • Orlando, FL • Los Angeles, CA

Copyright©2020 ETC. All Rights Reserved. All product information and specifications subject to change. Rev H 08/20

Trademark and patent info: etconnect.com/IP

etconnect.com