



Type(s)  
Project  
Date  
Notes

GENERAL INFORMATION

The compact, Pro Four-Cell Pendant is ideal for use in medium- to long-throw, pendant style applications. The luminaire is provided with a stem and canopy kit available in a variety of lengths. Manufactured from high-grade, powder-coated aluminum and steel, the luminaire is entirely convection cooled for silent operation.

The Pro Four-Cell Pendant includes an onboard 100–277 VAC power supply nearly located in the canopy for easy installation. Intensity control is achieved either with a direct, wired-DMX connection to the luminaire, or wirelessly using the separate ArcMesh TX1 Transmitter.

ArcSystem has been specifically developed for auditorium lighting applications where high-quality, extremely accurate and smooth dimming is required. The use of onboard device management in the driver allows all luminaires to be addressed remotely, ensuring fast and simple installation.

GENERAL INFORMATION

APPLICATIONS

- Auditoriums
- Work lights
- Lobbies
- Houses of worship
- Museums
- Studios

FEATURES

- Wired DMX or wireless (ArcMesh) control protocols
- Stepless, smooth dimming to absolute zero
- Convection cooled
- Fan-free, silent operation
- Various color options
- Available in a Dual-Input UL924 Listed Emergency version

ORDERING INFORMATION

ArcSystem Pro Four-Cell Pendant and Canopy

MODEL	CONTROL	FADE-TO-WARM	COLOR TEMP	BEAM ANGLE	FIXTURE COLOR*
<b>ARCP4P</b> - Standard <b>ARCPE4P</b> - Emergency	<b>BLANK</b> - DMX/ArcMesh <b>RDM</b> - DMX/RDM	<b>BLANK</b> - Standard <b>F</b> - Fade To Warm <small>(Fade to Warm only available with 2700 K and 3000 K options)</small>	<b>2</b> - 2700 K <b>3</b> - 3000 K <b>35</b> - 3500 K <b>4</b> - 4000 K <b>5</b> - 5000 K	<b>19</b> - 19° <b>24</b> - 24° <b>37</b> - 37° <b>60</b> - 60°	<b>W</b> - White <b>B</b> - Black

ArcSystem Pro Four-Cell Pendant Stem

MODEL	LENGTH**	FIXTURE COLOR*
<b>ARCP4PS</b> - Stem	<b>6</b> - 6 in (152 mm) <b>12</b> - 12 in (304 mm) <b>24</b> - 24 in (608 mm) <b>36</b> - 36 in (914 mm) <b>48</b> - 48 in (1,219 mm) <b>72</b> - 72 in (1,828 mm) <b>96</b> - 96 in (2,438 mm)	<b>W</b> - White <b>B</b> - Black

\*Products ship standard in black or white. For custom colors please contact ETC for more information.

\*\*Custom stem lengths are available, please contact ETC for more information.



## PRODUCT SPECIFICATIONS (PRO FOUR-CELL PENDANT)

## Source

LED details	Bridgelux Vero 13 (standard) Vesta 15 (FTW)
Max field lumens	8,445 (5000 K 37°)
Max total lumens	9,152 (5000 K 37°)
Lumens per watt	91
L70 rating (hours to 70% output)	50,000 hours

## Color

Colors used	Fixed white
Color temperature range	2700 K / 3000 K / 3500 K / 4000 K / 5000 K
Fade to warm	Optional on 2700 K and 3000 K

## Optical

Beam angle range	19 / 24 / 37 / 60
CRI	>90
TM-30-18 data	Refer to <a href="#">ArcSystem Photometry and Color Info Guide</a>
Photometry data	See below or refer to ArcSystem Photometry and Color Info Guide

## Control

Input method	DMX-512 via 8 position header in canopy
Protocols	DMX, ArcMesh wireless, RDM (option)
Modes (footprint)	1-channel / 4-channel
RDM configuration	Yes (with RDM driver option)
UI type	PC config app for ArcMesh option
Local control	No
Notes	ArcMesh wireless control requires optional TX1 transmitter

## Electrical

Voltage range	100–277 VAC
Input method	Hard-wired terminals in canopy
Inrush	15 A at 120 V (first half-cycle) 15 A at 240 V (first half-cycle)
Wattage (max / standby)	100 W / <1 W
Current draw	0.84 A at 120 V 0.46 A at 240 V
Power factor	>0.9

## Thermal

Ambient operating temp	0°–40° C (32°–104° F)
Fan (controllable)	N/A (convection cooled)
BTUs/hour	341

## Physical

Materials	Die-cast aluminum and cold-rolled steel
Color options	Black, white or custom color
Mounting options	Stem & Canopy (fits to 4" Square contractor backbox)
Max ceiling angle	34°
IP rating	IP-20 (dry locations only)
Weight (without stem)	6.35 kg (14 lb)
Included accessories	Stem & canopy kit

## Warranty

Full fixture	5 years
LED array	10 years

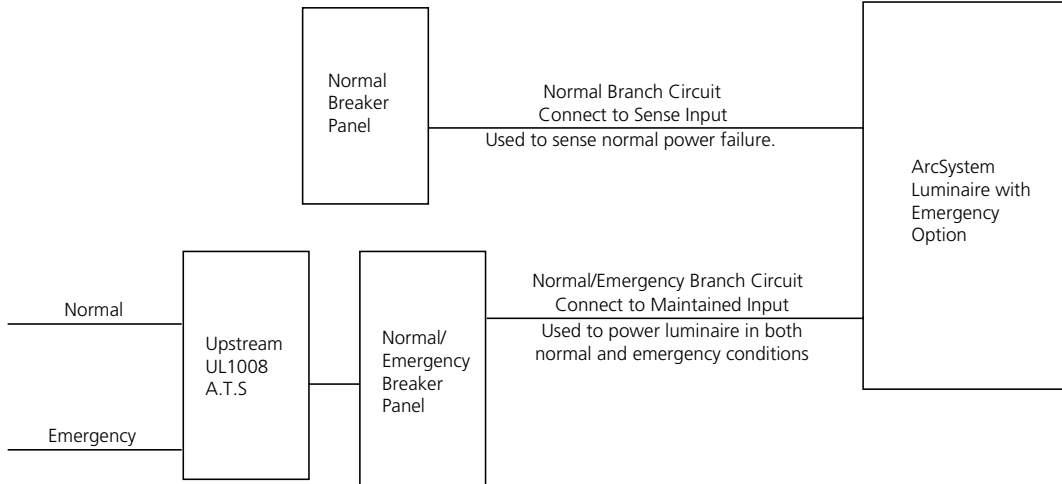
## Regulatory and Compliance

Approved regulatory standards	Standard version cETLus Listed Conforms to ANSI/UL STD.1598 Certified to CSA STD. C22.2 No: 250 CE Compliant  Emergency version cETLus Listed Conforms to ANSI/UL STD.924 Certified to CSA STD. C22.2 No: 141 CE Compliant
-------------------------------	--

**EMERGENCY CONNECTION**

A dual-input emergency version of this luminaire is available. Emergency luminaires require two line-voltage inputs that perform the following functions:

- Normal power/emergency power
- Normal power sense input



The sense input is used to detect whether normal utility power has been lost. This will force the luminaire on at 100% intensity running from the maintained supply. There is no control of the luminaire via wireless- or wired-DMX until normal utility power is restored to the sense input.

**PHOTOMETRY**

**Lumen table**

COLOR TEMP	BEAM ANGLE	FIELD ANGLE	FIELD LUMENS	BEAM LUMENS	MAX CANDELA
3000 K	19°	51.9°	5,414	2,356	56,160
3000 K	24°	60.0°	6,302	3,116	32,710
3000 K	37°	65.6°	7,085	3,622	17,890
3000 K	60°	84.2°	7,334	4,115	9,880

IES light files are available on request for all beam angles of ArcSystem.

Full photometry and color information for the ArcSystem family is available in the [ArcSystem Photometry and Color Info Guide](#).

PHYSICAL

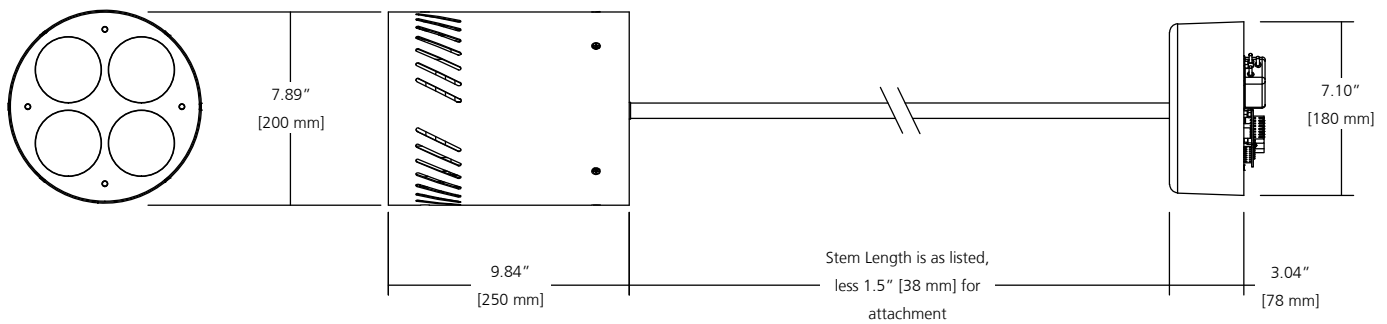
Pro Four-Cell Pendant Dimensions

MODEL	HEIGHT		WIDTH		DEPTH	
	in	mm	in	mm	in	mm
Pro Four- Cell Pendant*	9.84	250	7.89	200	7.89	200

\*Excluding stem and canopy

Pro Four-Cell Pendant Weights

MODEL	WEIGHT*		SHIPPING WEIGHT	
	lb	kg	lb	kg
Pro Four-Cell Pendant*	14	6.35	15.5	7.03



Pro Four-Cell Stem Weights

MODEL	WEIGHT*		SHIPPING WEIGHT	
	lb	kg	lb	kg
6 in (15 cm)	0.4	0.18	0.7	0.32
12 in (30 cm)	0.7	0.32	1.1	0.50
24 in (60 cm)	1.1	0.50	1.5	0.68
36 in (90 cm)	1.6	0.73	2.2	1.00
48 in (121 cm)	2.1	0.95	3.2	1.45
72 in (182 cm)	2.9	1.32	4.1	1.86
96 in (243 cm)	3.9	1.77	5.2	2.36



Corporate Headquarters • Middleton, WI USA

Global Offices • London, UK • Rome, IT • Holzkirchen, DE • Paris, FR • Hong Kong  
Dubai, UAE • Singapore • New York, NY • Orlando, FL • Los Angeles, CA • Austin, TX

Copyright©2021 ETC. All Rights Reserved. All product information and specifications subject to change. Rev C 2021-02

\*Trademark and patent info: [etcconnect.com/IE](http://etcconnect.com/IE)

[etcconnect.com](http://etcconnect.com)